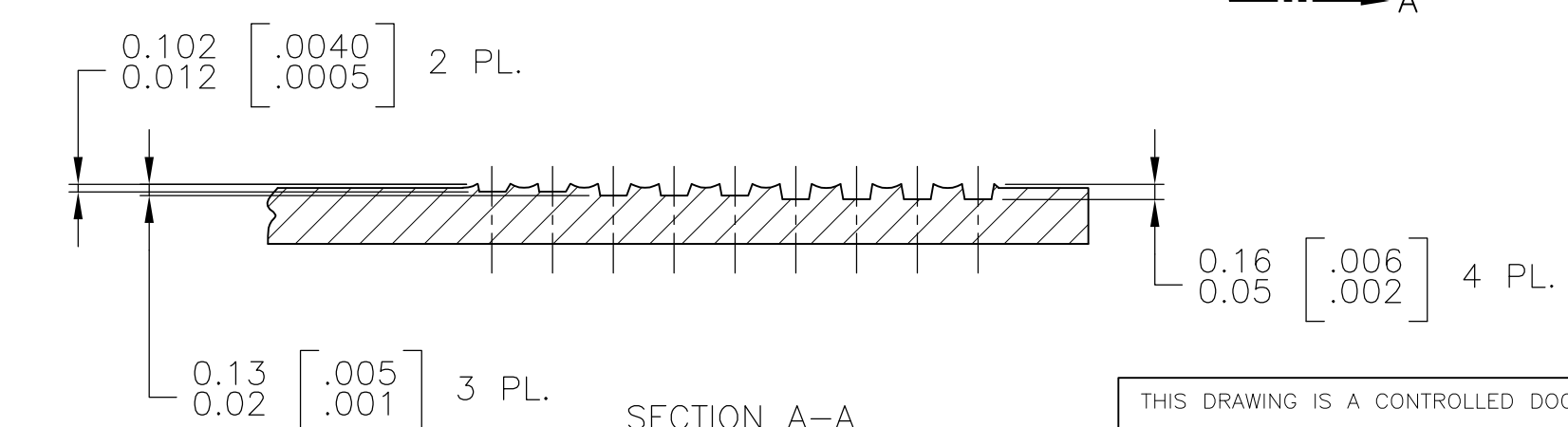
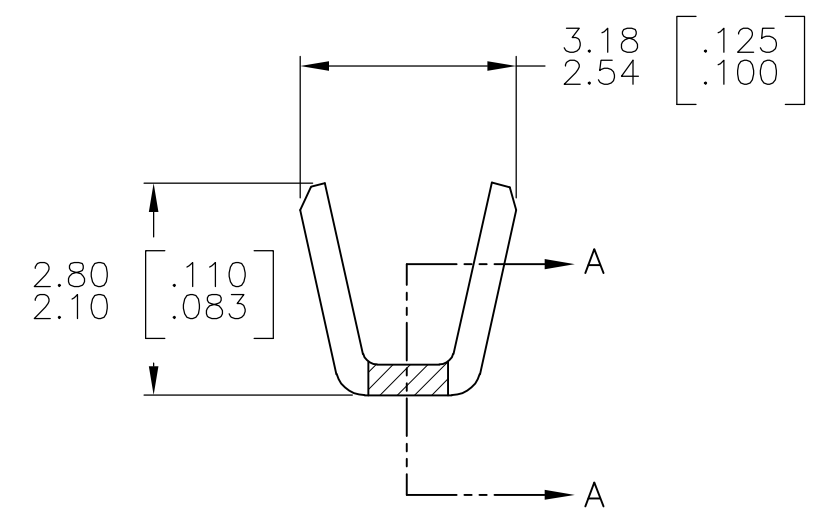
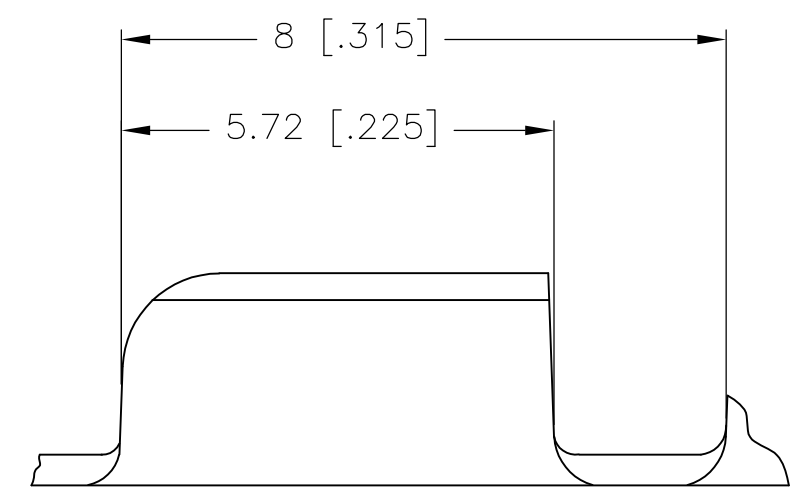
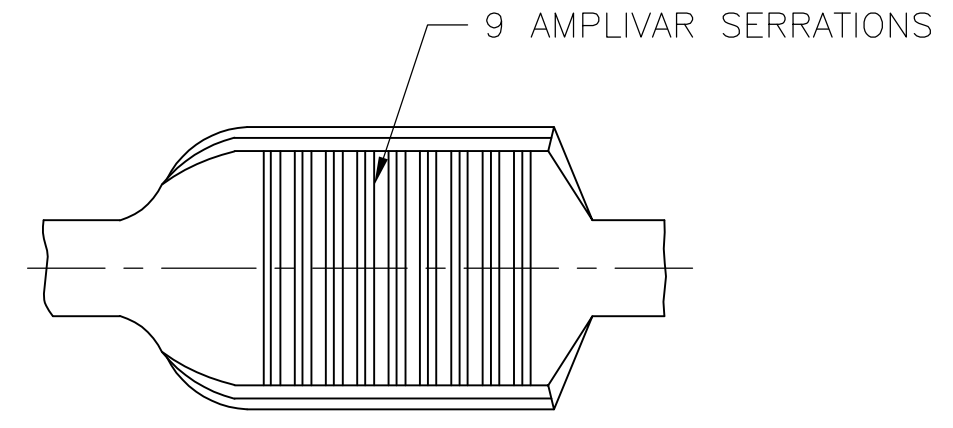


THIS DRAWING IS UNPUBLISHED. RELEASED FOR PUBLICATION  
 © COPYRIGHT - By - ALL RIGHTS RESERVED.

REVISIONS					
P	LTR	DESCRIPTION	DATE	DWN	APVD
	F	REVISED PER ECR-16-007698	22JUN2016	BW	KR



SECTION A-A  
SCALE 20:1

- 1 PRODUCT PROVIDED IN STRIP FORM ON REELS; BREAKS MAY BE PRESENT.
- 2 DIMENSIONS IN BRACKETS ARE IN INCHES.
- 3 CRIMP WIDTH: .080 F (AMPLIVAR TYPE)  
 CRIMP HEIGHT ( $\pm .002$ ) = (TOTAL CMA + 5320) / 139,200  
 GENERAL APPLICATION GUIDELINES MUST BE FOLLOWED AS SPECIFIED IN CATALOG #82221  
 FOR APPLICATOR INFORMATION CALL: 1-800-722-1111  
 FOR PRODUCT INFORMATION CALL: 1-800-522-6752

TIN	62303-2
Finish	PART NO.

THIS DRAWING IS A CONTROLLED DOCUMENT.		DWN RAGHAVENDRA 31JAN06	<b>STE</b> TE Connectivity	
DIMENSIONS: mm [INCHES]		CHK G.D.PORTA		
TOLERANCES UNLESS OTHERWISE SPECIFIED:		APVD G.D.PORTA	NAME	
0 PLC ± -		PRODUCT SPEC	SPLICE, AMPLIVAR	
1 PLC ± -		APPLICATION SPEC	400 TO 1500 CMA	
2 PLC ± -		114-2003	SIZE	CAGE CODE
3 PLC ± 0.38 [.015]		WEIGHT	A3	00779
4 PLC ± -		CUSTOMER DRAWING	DRAWING NO	C-62303
ANGLES ± 1°		SCALE	10:1	SHEET
MATERIAL	FINISH	RESTRICTED TO	1 OF 1	REV
0.41 [.016] BRASS	SEE TABLE	-	F	